

**AMERICAN AVK RESILIENT SEATED GATE VALVE**  
**250 PSI, Tested to AWWA C509 (NRS)**  
**Push-on Joint (TYTON) Ends - Valve Sizes 4" through 12", and 16"**

**25/5X**  
**POxPO**

**Use:**

For water and neutral liquids to maximum 160°F.

**Tests:**

Hydraulic test to AWWA C509:

Shell Test: 500 PSI

Seat Test: 250 PSI

Operating Torque Test

**Optional Materials:**

Stem	Option a): For UL, FM, ULC Low zinc bronze ASTM B763
Anti Friction Washers	Polyamide
Bonnet Bolts	Option a): For UL, FM, ULC ASTM A164 zinc coated steel sealed with hot melt
	Option b): Stainless Steel - 316 sealed with hot melt
Gland Bolts	Option a): For UL, FM, ULC ASTM A164 zinc coated steel Hexagon bolt
	Option b): Stainless Steel - 316 Hexagon bolt

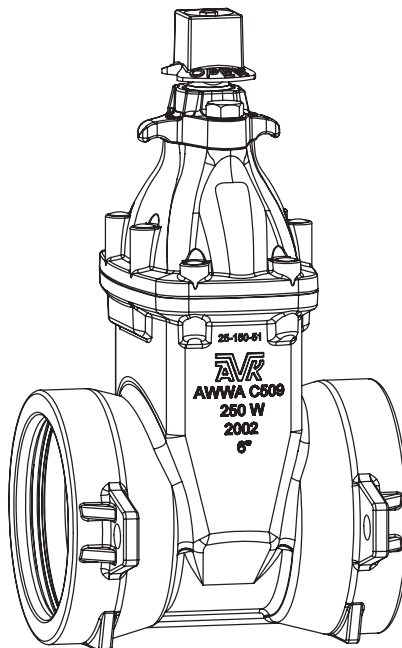
**Standard Materials:**

Body, Bonnet, Gland Flange Coating	Cast iron ASTM A126 class B Ductile iron ASTM A536 Electrostatically applied fusion- bonded epoxy-resin Meets or exceeds AWWA C550
Wrench Nut	Ductile iron ASTM A536 - painted black for open left, red for open right.
Stem	Standard: Stainless Steel, ASTM A582
Wedge	Ductile iron ASTM A536 encapsulated with EPDM-rubber compound
Wedge Nut	Bronze
Bonnet Bolts	Stainless Steel - 304 sealed with hot melt
Gland Bolts Hexagon bolt	Stainless Steel - 304
Bonnet Gasket Wiper Ring, O-Ring Stem Seals, O-Ring Gland Seal	ASTM D2000 Buna "N" nitrile rubber

**Approvals:**



- \*UL/ULC Listed,
- \*FM Approved
- NSF-61 (audited by UL)
- \* Approved at 200 PSI working pressure



American AVK Company  
an ISO 9001-2000 registered company

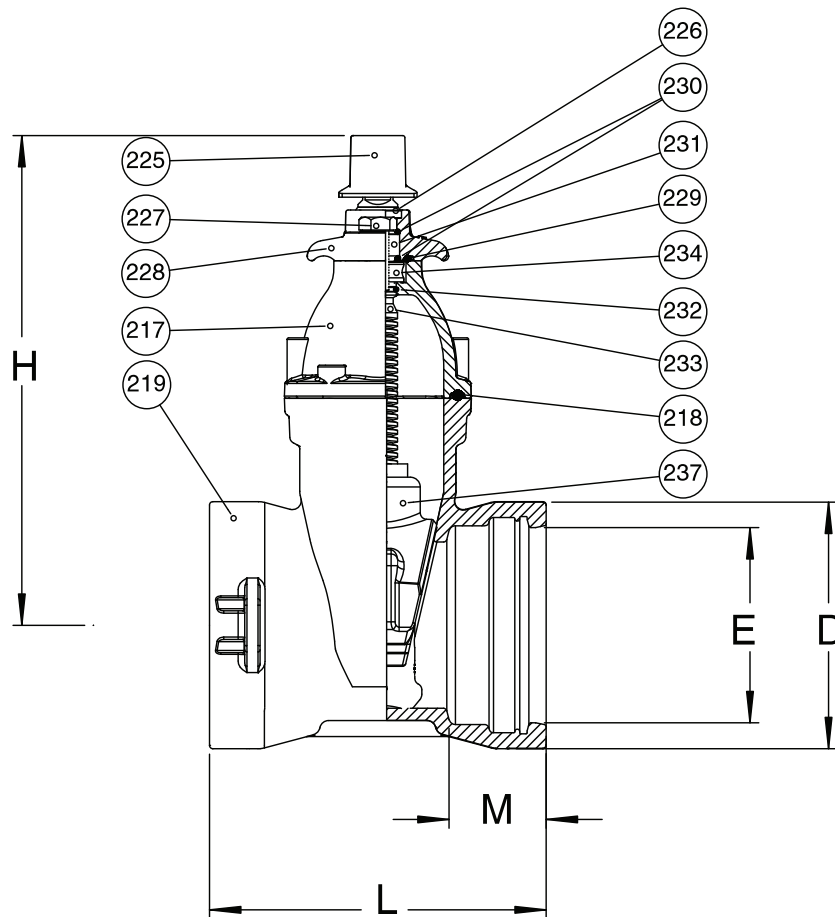
DS S255X POPO  
Subject to change without notice. (rev. 02/06)

**AMERICAN AVK RESILIENT SEATED GATE VALVE**  
**250 PSI, Tested to AWWA C509 (NRS)**  
**Push-On Joint (TYTON) Ends - Valve Sizes 4" through 12", and 16"**

**25/5X**  
**POxPO**

**Component List:**

217. Bonnet	227. Gland Flange Bolt	232. Lower Stem Seal O-Ring
218. Bonnet Gasket	228. Gland Flange	233. NRS Stem
219. Body	229. Gland O-Ring	234. Thrust Collar
225. Wrench Nut	230. Upper Stem Seal O-Rings	237. Wedge
226. Wiper Ring	231. Stem Seal Bushing	



Ref No.	Size	D	E	H	L	M	Turns to Open	Wt. Lbs.
25-100-5X	4"	6.85"	4.93"	13.58"	10.12"	3.09"	14	57
25-150-5X	6"	9.12"	7.03"	17.50"	12.05"	3.58"	21	98
25-200-5X	8"	11.46"	9.18"	21.50"	12.99"	3.89"	26	157
25-250-5X	10"	13.81"	11.22"	24.75"	13.85"	3.76"	32	227
25-300-5X	12"	16.14"	13.32"	27.75"	15.59"	4.33"	38	336
25-400-5X	16"	20.61"	17.51"	34.75"	20.71"	5.00"	51	810

