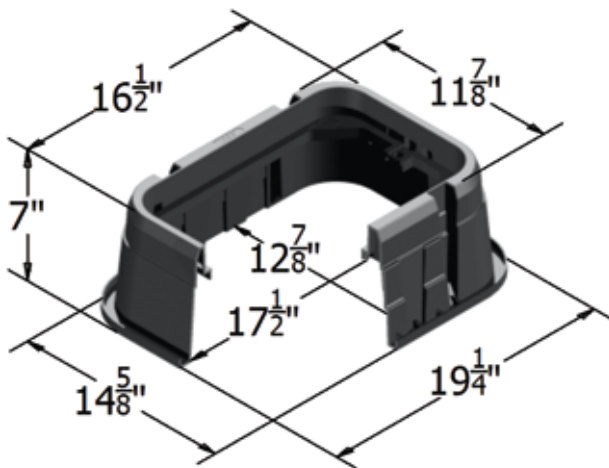


**COVER:**  
Style: Flush  
Material: HDPE  
Weight: 1.9 lbs.  
Standard Color: Black  
Options: Logos and Special Markings

**BODY/UNIT:**  
Material: HDPE  
Weight: 5.6 lbs  
Standard Color: Black  
Mouseholes: 2/6



**EXTENSION:**  
Material: HDPE  
Weight: 3.5 lbs  
Standard Color: Black

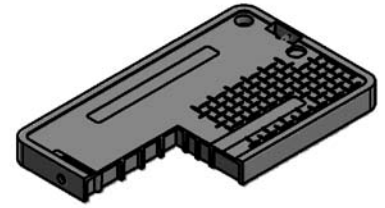
Note:  
Actual load rating is determined by  
the box and cover combination

Weights and dimensions may  
vary slightly

**1015**

For use in non-vehicular traffic situations only.  
We do not recommend installation in concrete or asphalt.

- Options:**
- Available Plastic Covers:**
    - Flush Solid Cover
    - Flush Cover with Plastic Reader Door
    - Flush Cover with Cast Iron Reader Door



Flush Solid Cover

- Add On Options for Plastic Covers:**
  - Touch Read Hole



Reader  
Door Detail

**Raw Material Specifications:**

Material Property	ASTM Test Method	Typical Value <sup>1</sup>
Type, Class, Category	D 1248	III, A, 3
Density, g/cm <sup>3</sup>	D 1505	0.950 min., not to exceed 0.965
Tensile Strength, at break, psi	D 638	3,000 to 4,400
Elongation, at break, %	D 638	400
Tensile Impact, ft-lb/in <sup>2</sup>	D 1822	27
Flexural Modulus, psi	D 790	120,000 min., not to exceed 240,000
Low Temperature Brittleness, F50, at °C	D 746	<-76
Hardness, Shore D	D 2240	66
Deflection Temperature, at 66 psi, °F	D 648	150° min., not to exceed 200°
Electrical Dielectric Strength, V/mil	D 149	400 min., not to exceed 600
<b>Molded Product</b>		
Chemical Resistance	D 543	Very Resistant
Water Absorption	D 570	Less than 1% weight change

<sup>1</sup>The values listed for physical property measurements are nominal values only. Certain physical property measurements are subject to variations consistent with the test methods and are within a generally accepted range for such values.

- OPES Load Rating Key:**
- Light Duty : Pedestrian/Greenbelt
  - Medium Duty : Incidental, Non-deliberate Traffic
  - Heavy Duty : Incidental, Non-deliberate Traffic
  - Traffic : Continuous Roadway Traffic

**Note:** Actual load rating is determined by the box and cover combination. Weights and dimensions may vary slightly

All information contained on this sheet is current at the time of printing. Because of Oldcastle Precast, Inc.'s policy of ongoing research and development, the Company reserves the right to discontinue or update product information without notice.